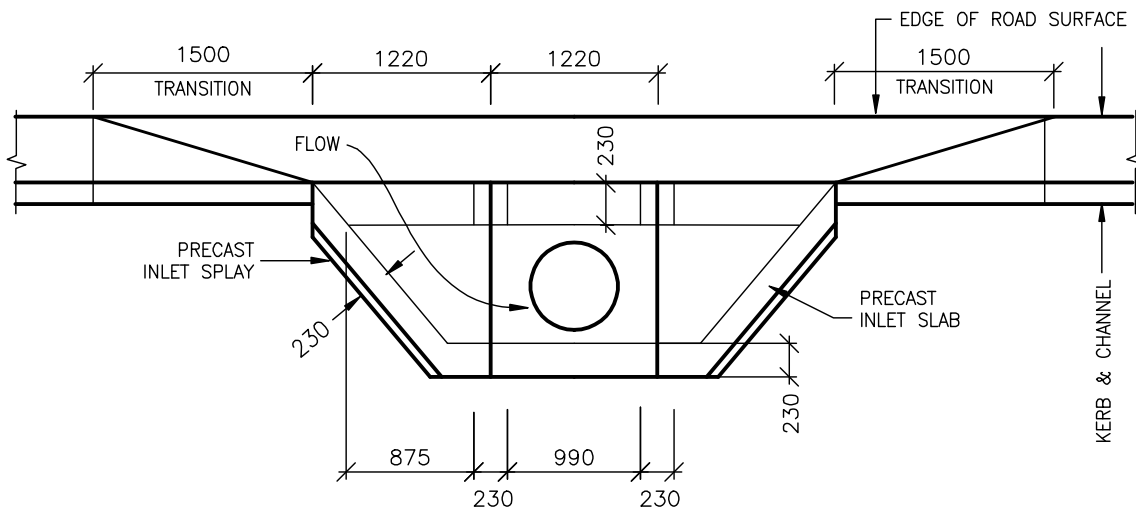


PLAN-SINGLE SPLAY



PLAN-DOUBLE SPLAY