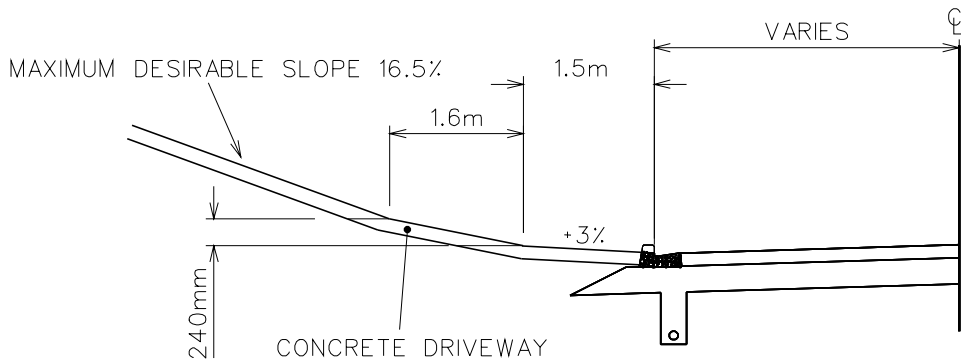


TYPICAL DRIVEWAY DETAIL - DESCENDING

SCALE 1:100



TYPICAL DRIVEWAY DETAIL - ASCENDING

SCALE 1:100

NOTE:-

1. Specific approval of the Engineer is required to exceed the maximum desirable slope.



Head Office: 50 Centreway Road, Orewa  
Private Bag 500, Orewa, 1461, New Zealand  
Tel: 0800 4265169, Fax (09) 4267280  
Email: info@rodney.govt.nz

26 February 2009

STANDARD DETAIL:

**TYPICAL VEHICLE  
CROSSING - SLOPE  
DETAILS**

Copyright on this Drawing is Reserved

DATE: June 2005

NOT TO SCALE

RDC NO:

SHEET NO:

REV:

18000

3.8