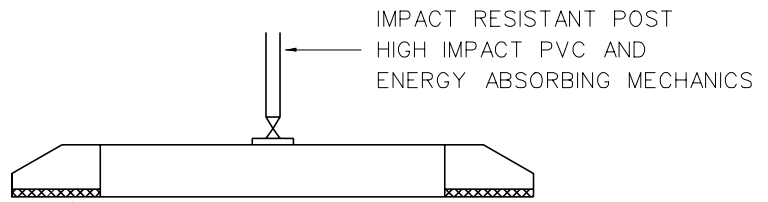


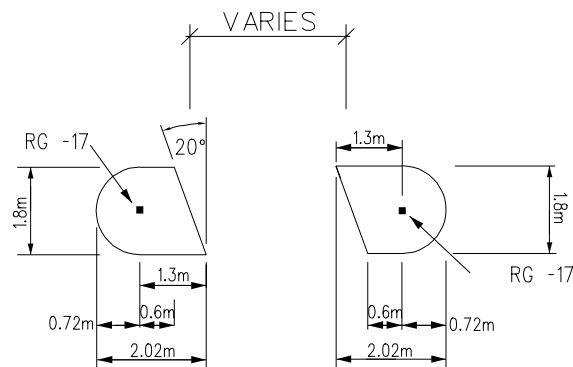
MOUNTABLE KERB PROFILE
TO BE USED, LAID ON
25 mm MORTAR BASE.



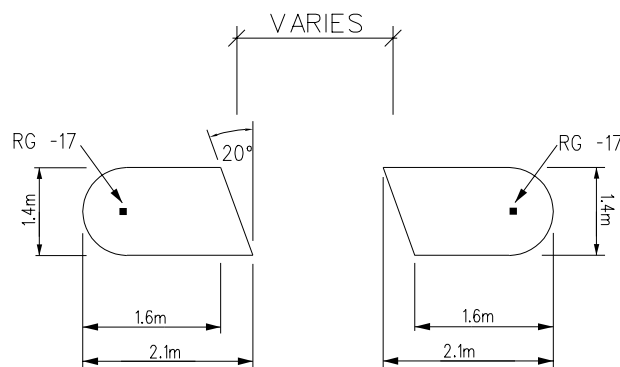
NOTE:-
For all details kerbs to be
painted with reflectorised
white paint

Infill traffic islands with fine McCallum's concrete,
exposed surface.
For larger islands in excess of 2m³ infill with
regular concrete and surface with fine McCallum's
concrete, exposed surface.

SECTION A - A



DETAIL 2 - TYPE 1



DETAIL 2 - TYPE 2

NOTE:-
1. Precast islands are preferred.



Head Office: 50 Centreway Road, Orewa
Private Bag 500, Orewa, 1461, New Zealand
Tel: 0800 4265169, Fax (09) 4267280
Email: info@rodney.govt.nz

26 February 2009

STANDARD DETAIL:

PEDESTRIAN REFUGE ISLANDS

Copyright on this Drawing is Reserved

DATE: June 2005

NOT TO SCALE

RDC NO:

SHEET NO:

REV:

18000 3.20