
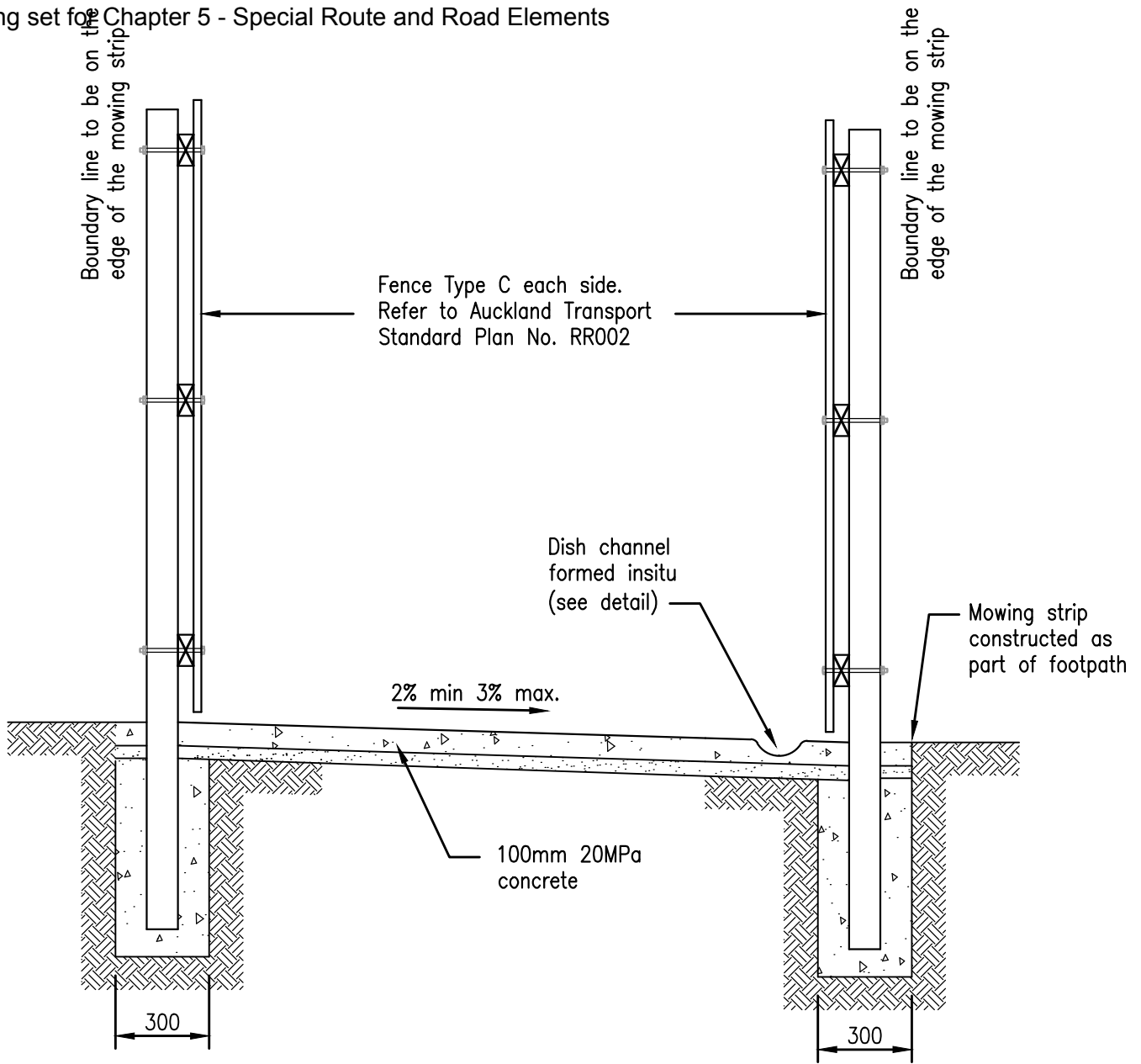


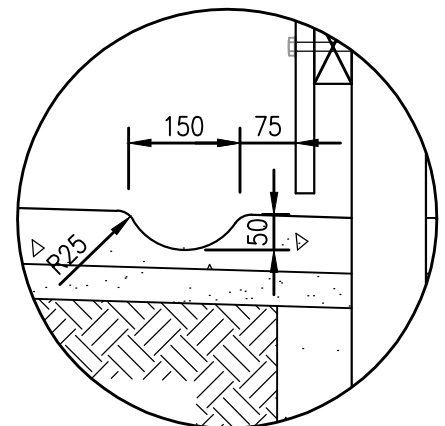
## DRAWING SET INDEX

SHEET No.	TITLE	VERSION
SR001	PEDESTRIAN ACCESS WAY FENCE, MOWING STRIP & CHANNEL DETAIL	1.0
SR002	PEDESTRIAN & CYCLIST ACCESSWAY LAYOUT	1.0
SR003	PEDESTRIAN & CYCLIST ACCESSWAY ALTERNATIVE SECTIONS	1.0

REVISION	BY	DATE		AUCKLAND TRANSPORT CODE OF PRACTICE	SCALE:	
				TITLE	SPECIAL ROUTES & ROAD ELEMENTS DRAWING SET INDEX	DRAWING No.
						SR000
						VERSION



TYPICAL ELEVATION



CHANNEL DETAIL

NOTES:

1. Refer Auckland Transport Standard Plan No. CD012 for cycle barrier.
2. Dish channel to discharge to catchpit.
3. Sawcuts to be formed at a spacing of 3.0m along length of accessway.

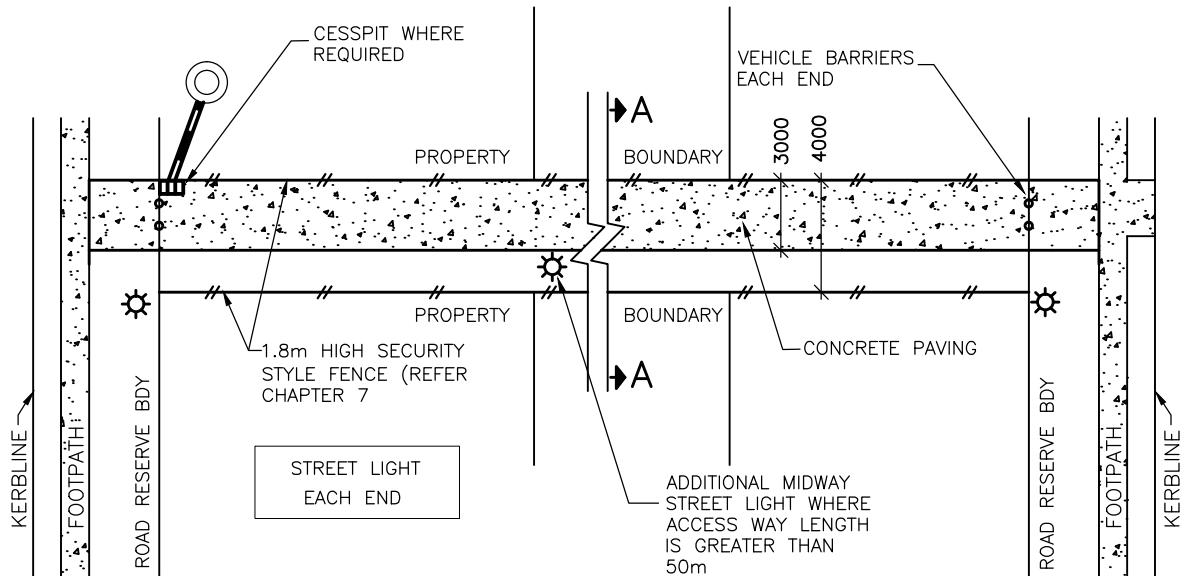
REVISION	BY	DATE



AUCKLAND TRANSPORT  
CODE OF PRACTICE

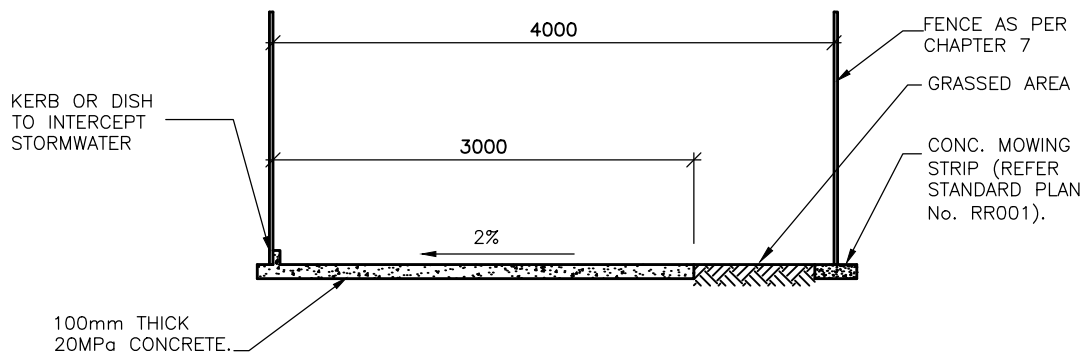
TITLE PEDESTRIAN ACCESS WAY  
FENCE, MOWING STRIP  
AND CHANNEL DETAIL

SCALE: N:k.S.  
DRAWING No. SR001  
VERSION 1.0



**PEDESTRIAN ACCESS WAY  
TYPICAL LAYOUT**

SCALE 1 : 250



**SECTION A-A**

SCALE 1 : 50

**NOTES:**

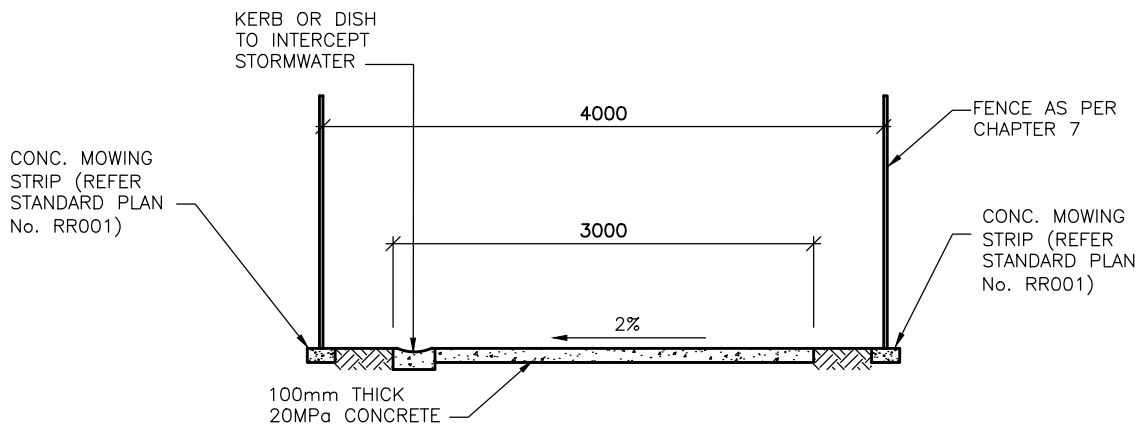
1. Footpath can be moved within access way provided stormwater is controlled.
2. Refer to Chapter 7 for fence & barrier details

REVISION	BY	DATE



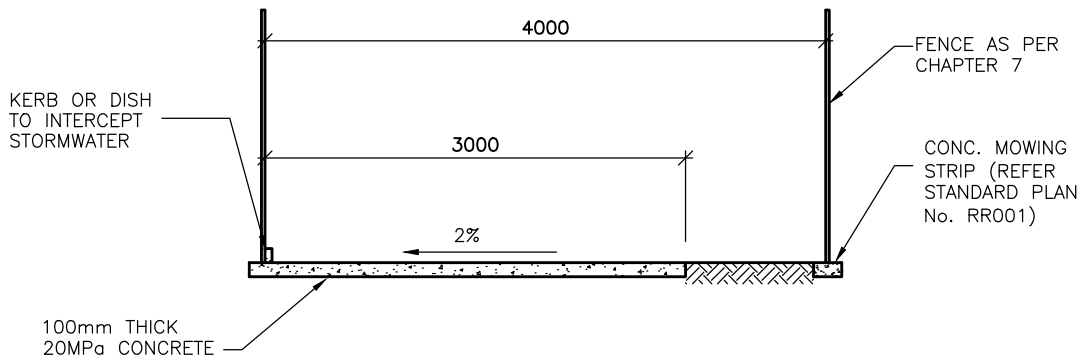
AUCKLAND TRANSPORT CODE OF PRACTICE	
<b>TITLE</b>	<b>PEDESTRIAN &amp; CYCLIST ACCESS WAY LAYOUT</b>

<b>SCALE:</b>	As Shown
<b>DRAWING No.</b>	SR002
<b>VERSION</b>	1.0



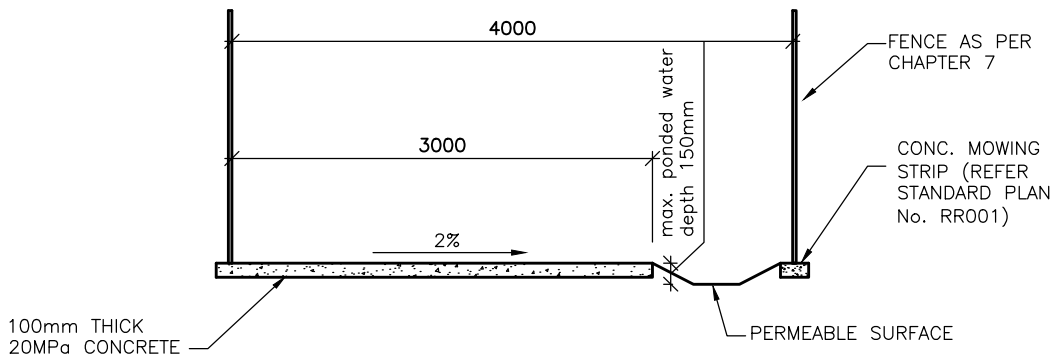
**SECTION – CENTRAL 3.0m SHARED PATH**

SCALE 1 : 50



**SECTION – 3.0m PATH TO SIDE**

SCALE 1 : 50



**SECTION – ACCESS WAY WITH SWALE/RAINGARDEN**

SCALE 1 : 50

REVISION	BY	DATE



AUCKLAND TRANSPORT CODE OF PRACTICE	
<b>TITLE</b>	<b>PEDESTRIAN &amp; CYCLIST ACCESS WAY ALTERNATIVE SECTIONS</b>

<b>SCALE:</b>	As Shown
<b>DRAWING No.</b>	SR003
<b>VERSION</b>	1.0