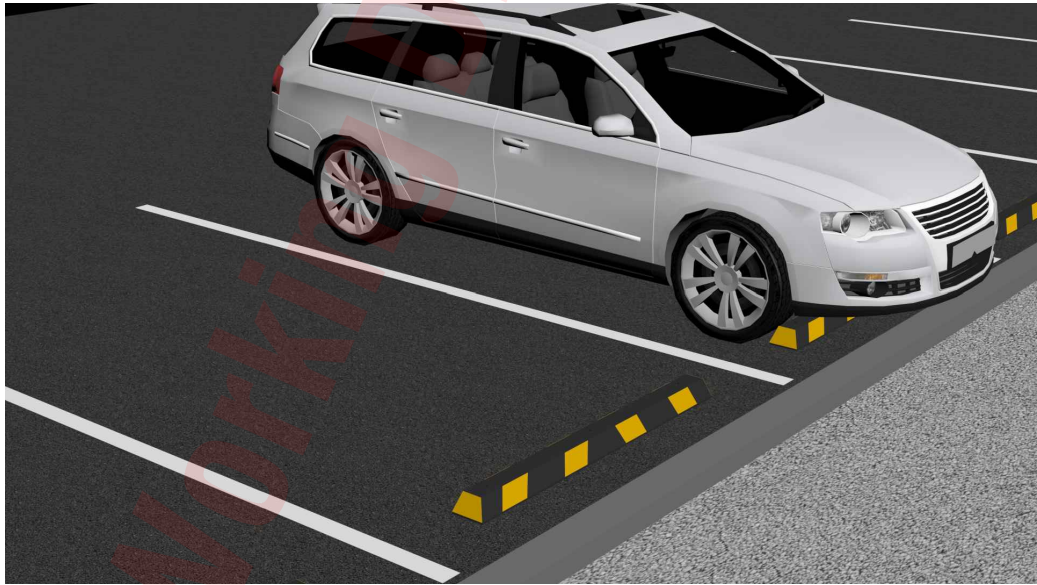
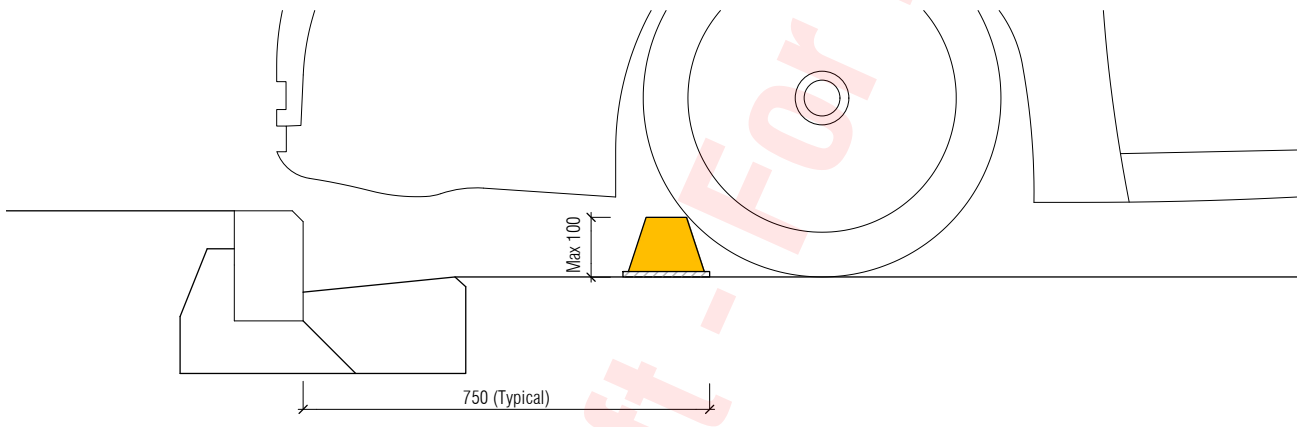
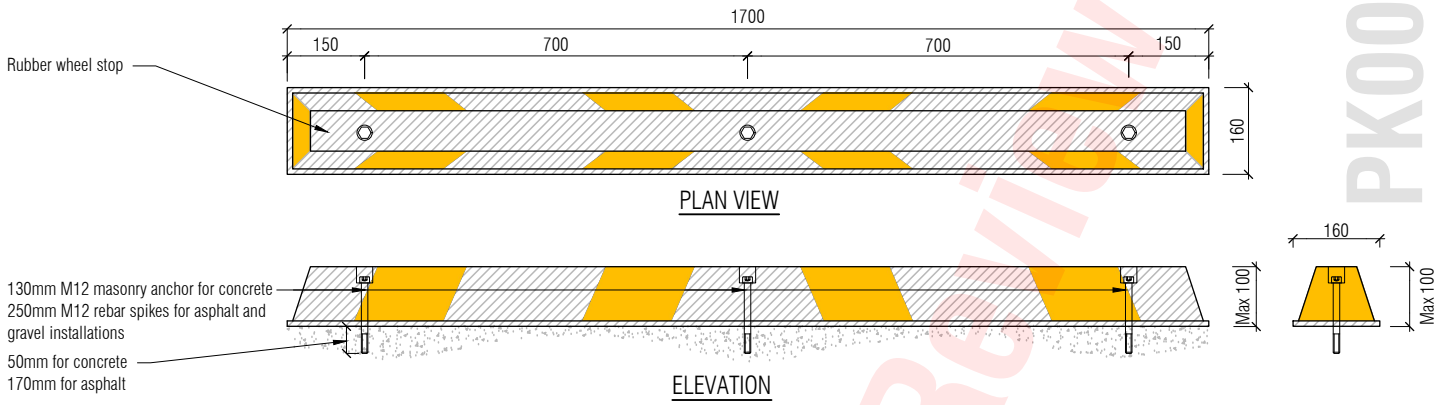


Parking Infrastructure Index

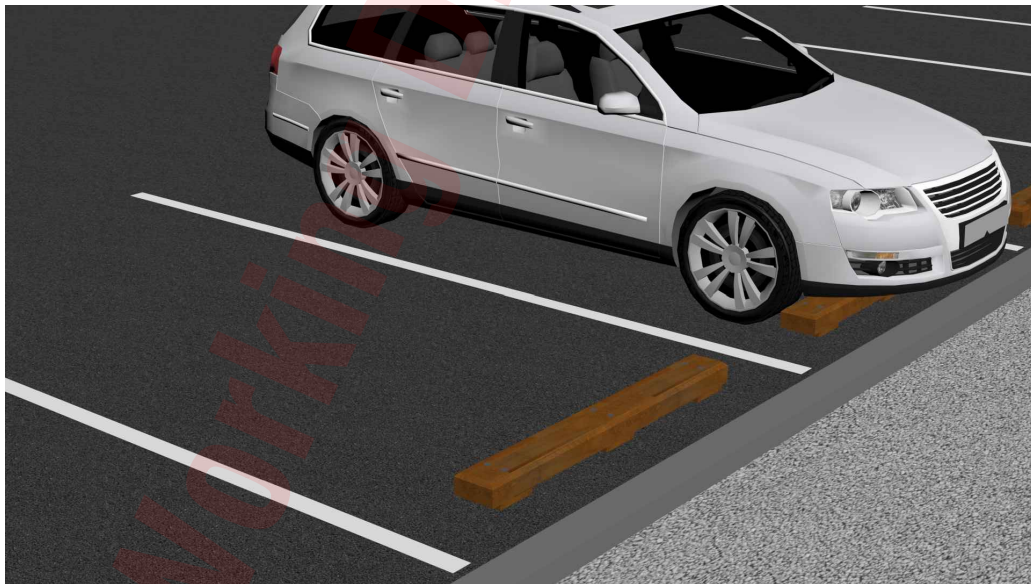
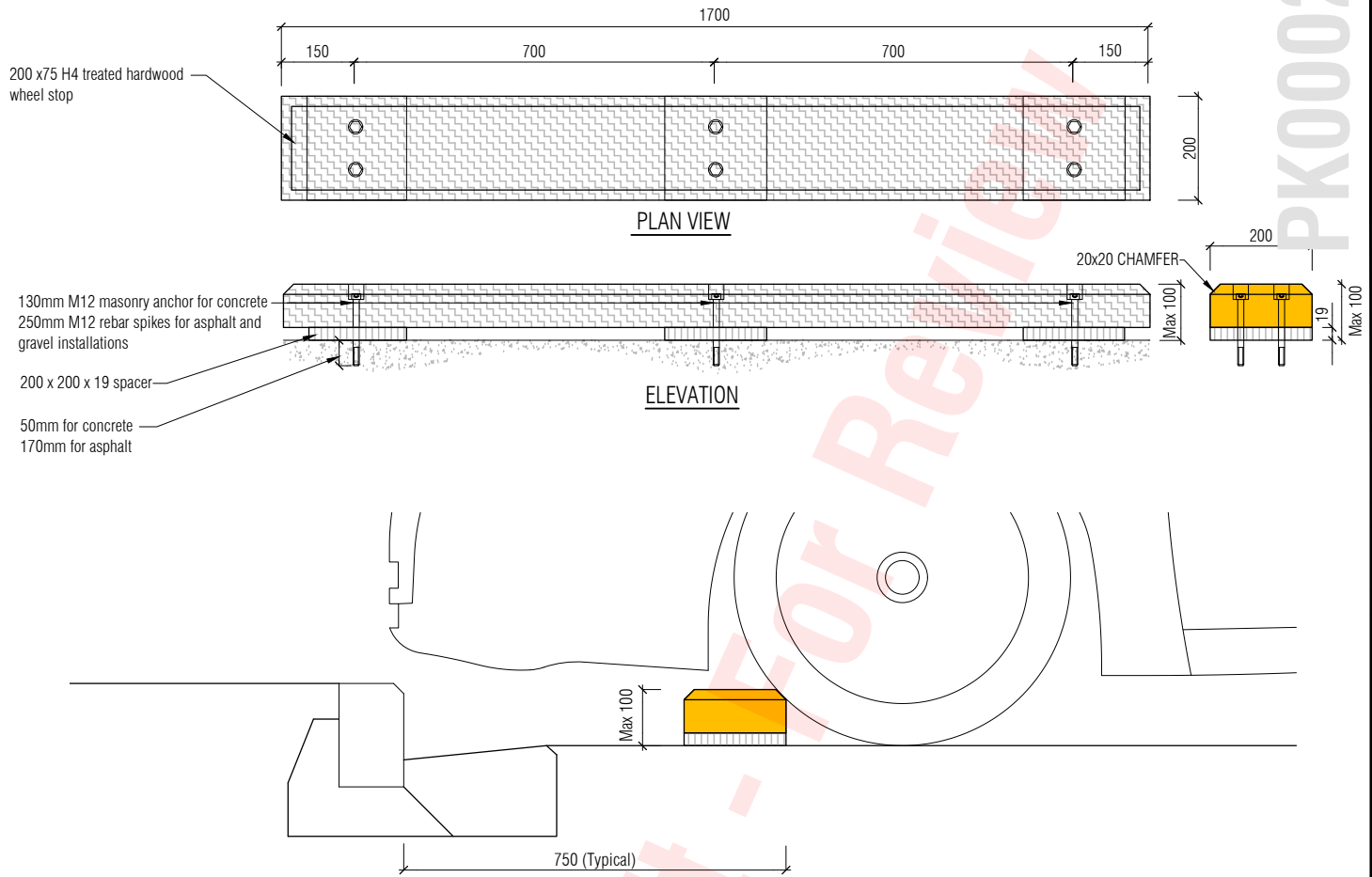
SED_NO	Title
PK0000	Parking Infrastructure Index
PK0001	Rubber Wheel Stops
PK0002	Timber Wheel Stops
PK0003	Concrete Wheel Stops

Working Draft - For Review





PESPECTIVE VIEW

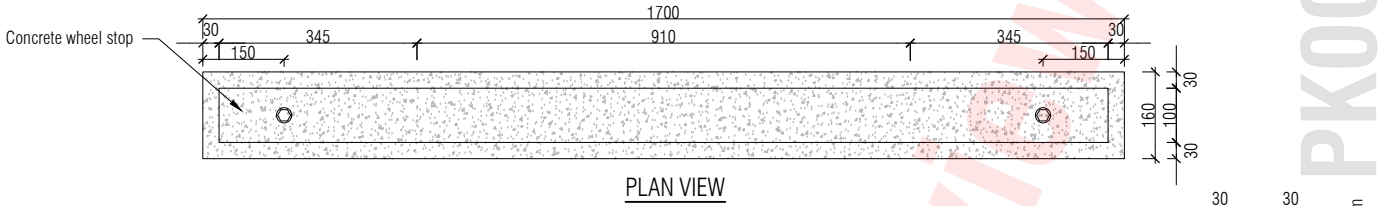


PERSPECTIVE VIEW

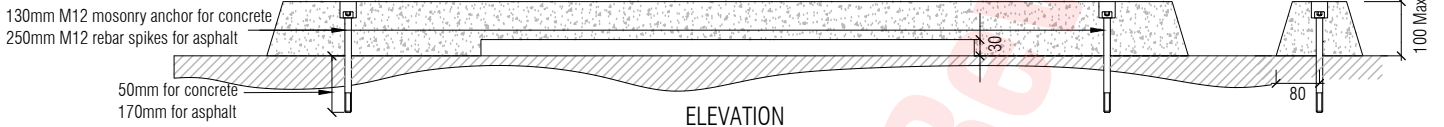
NOTES

1. Timber to be used in exception case only.
2. All timber to be H4 treated hardwood.

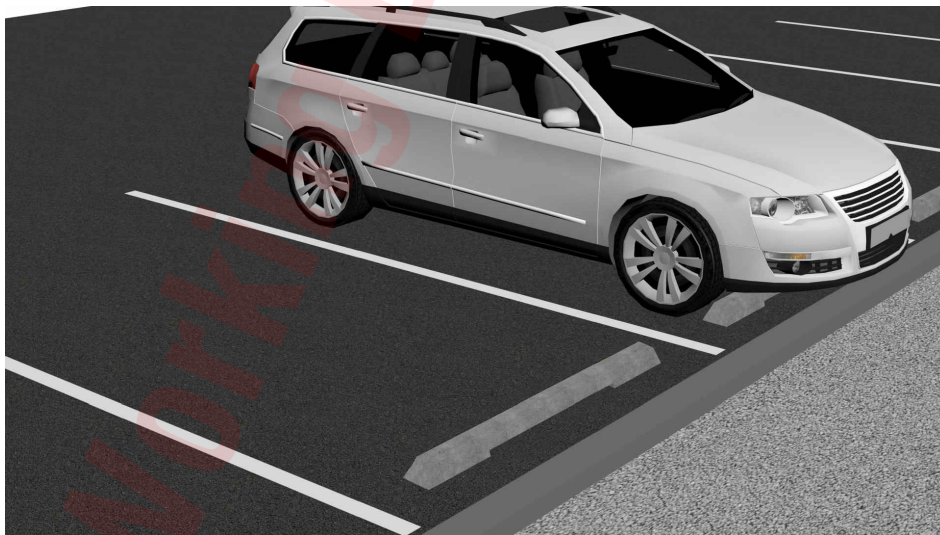
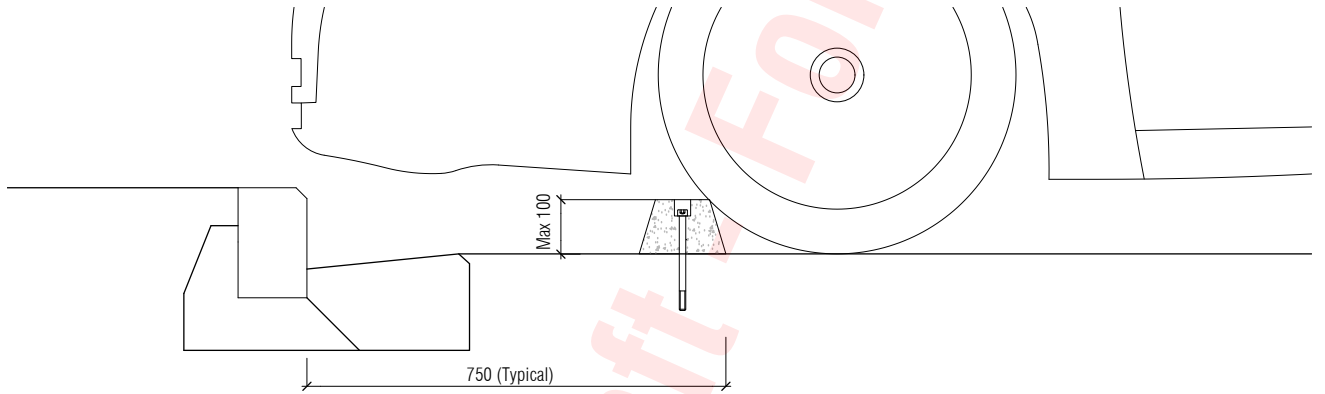




PLAN VIEW



ELEVATION



PERSPECTIVE VIEW

NOTES