

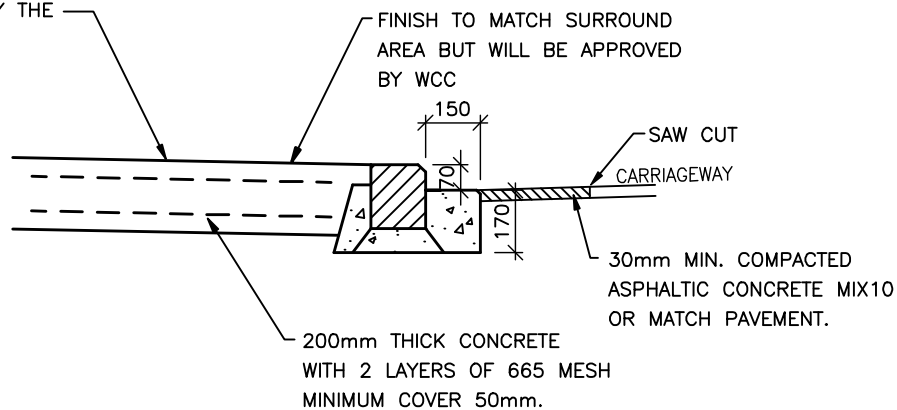
**MOUNTABLE APRON (ROUNABOUT)**

1:20

**NOTES:**

1. Subsoil drainage for Roundabout Gardens to be installed and connected to under channel drainage system as directed by the Engineer.
2. 15mm dia. Feeder pipe and meter to be installed for irrigation to Roundabout Gardens as directed by the Engineer.

RADIAL SAWCUTS AT 4m  
OR AS DIRECTED BY THE  
ENGINEER.



**MOUNTABLE APRON (CORNER CUTBACK)**

1:20