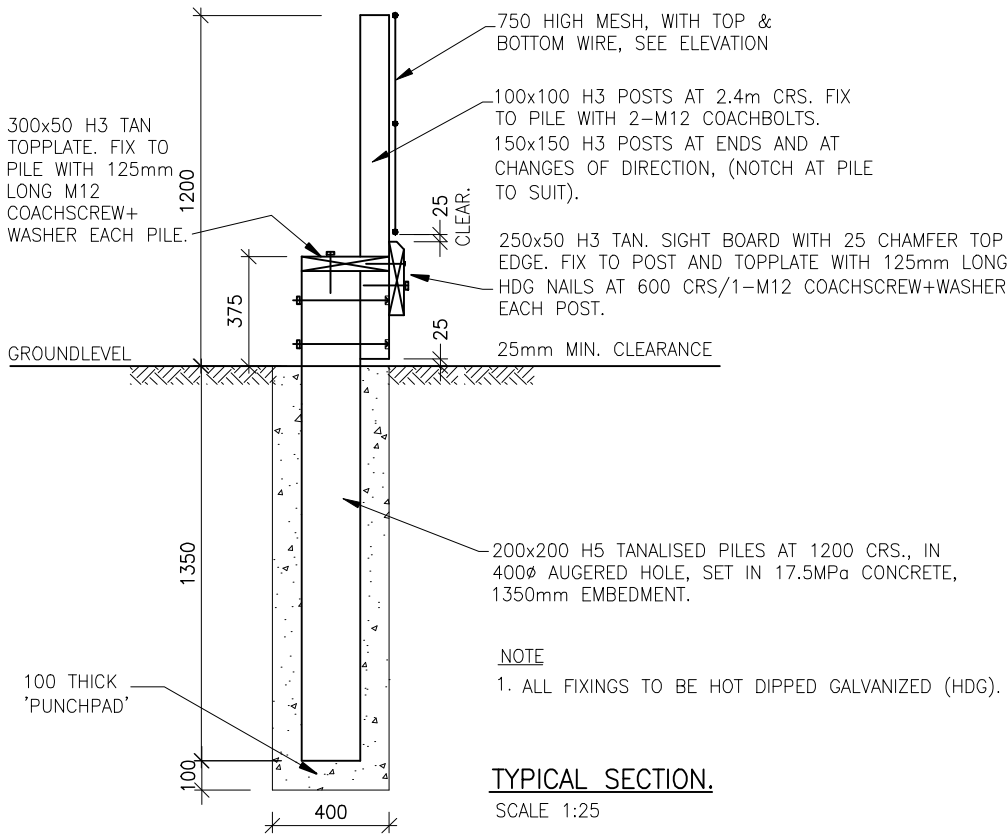


CRASH BARRIER AND WIREMESH FENCE
TYPICAL ELEVATION
SCALE 1:25



TYPICAL SECTION.
SCALE 1:25

NOTE
1. ALL FIXINGS TO BE HOT DIPPED GALVANIZED (HDG).