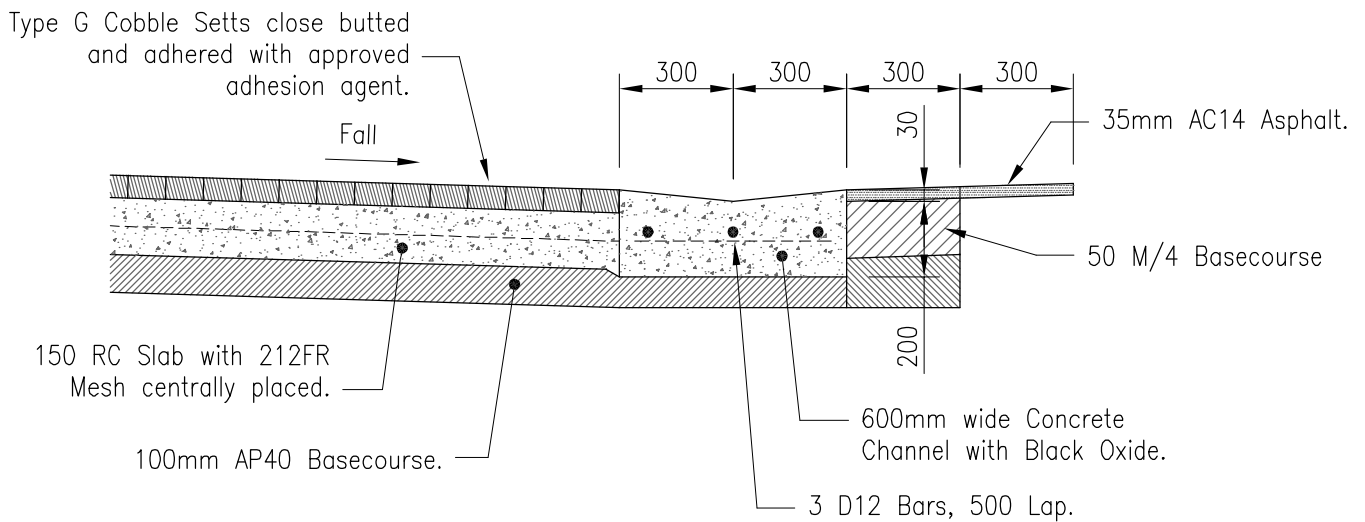


**BARNES DANCE PRAM CROSSING**

SCALE 1:20



**CARRIAGEWAY CHANNEL OF STOPPING BAY**

SCALE 1:20

PREPARED BY OPUS:



**AUCKLAND CITY**  
Transport

QUEEN STREET  
KERB AND CHANNEL DETAILS  
SHEET TWO OF TWO

SCALE : 1:10 ; 1:20

DRAWN : MKG

ISSUE DATE : 11/2008

APPROVED :

PLAN No. ISSUE B

2008/1110