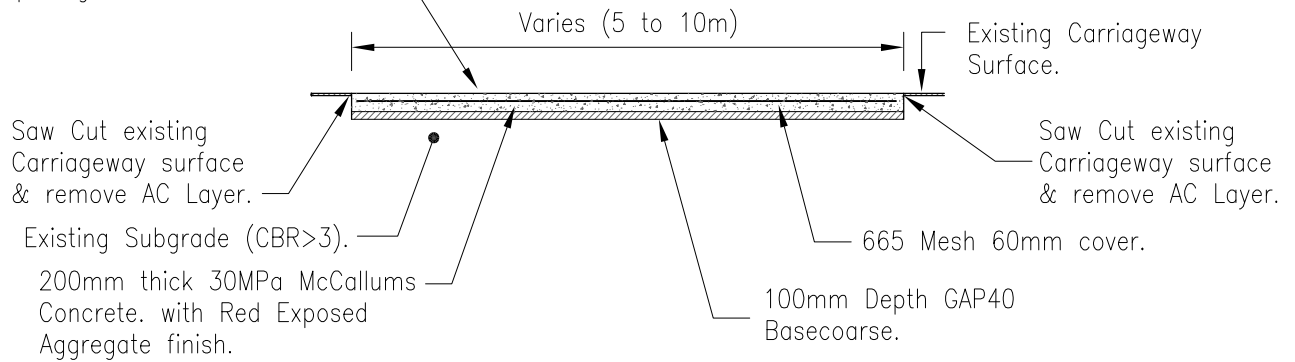
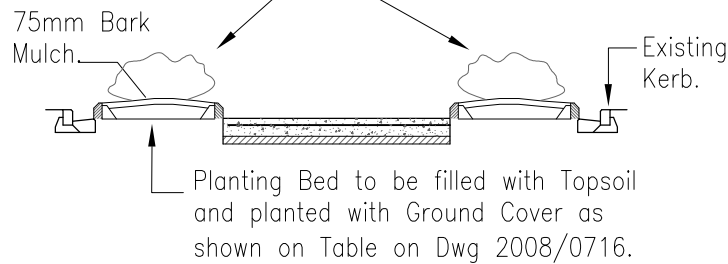


50mm Sawcut expansion joints filled with sealant at 5m max spacings.



CROSS SECTION A-A AT THE ENTRANCE THRESHOLD

Low height Plants as shown on Dwg 2008/0716.



CROSS SECTION B-B FOR SINGLE LANE THRESHOLD

PREPARED BY:



AUCKLAND CITY
Transport

TYPICAL DETAILS OF
ENTRANCE THRESHOLD
SHEET TWO

SCALE : 1:100

DRAWN : MKG

ISSUE DATE : 11/2008

APPROVED :

PLAN No. ISSUE A

2008/0712