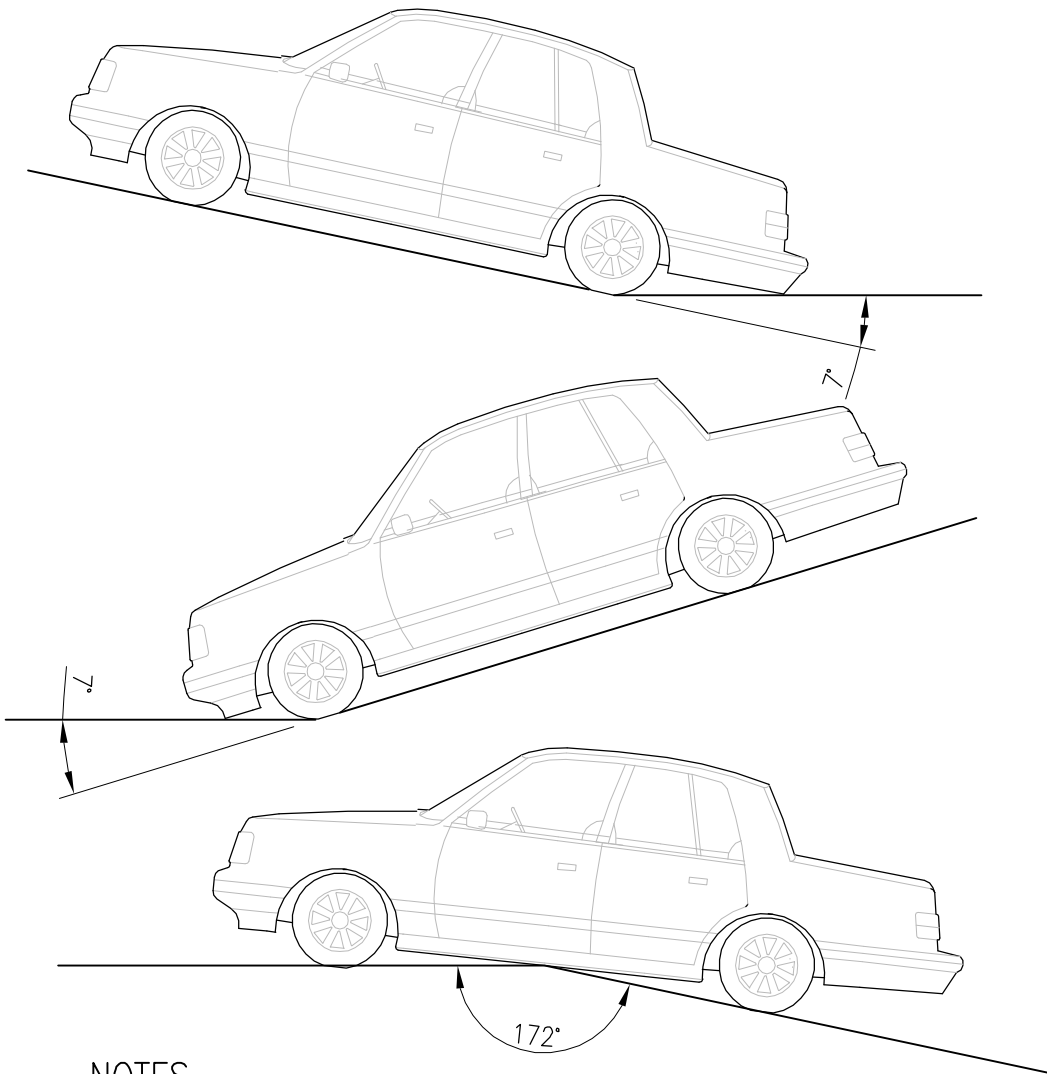


99% CAR :m
 WIDTH :1.94m



NOTES

1. The above dimensions have been derived from the 99 percentile car shown in the Auckland City Council District Plan and a road clearance of 100mm as stated in AS2890.1-1993.

PREPARED BY OPUS:



AUCKLAND CITY
 Transport

VEHICLE ENTRANCE
 VERTICAL – 99% CAR

SCALE : 1:25

DRAWN : B.D.

ISSUE DATE : 11/2008

APPROVED :

PLAN No. ISSUE B

2008/0618