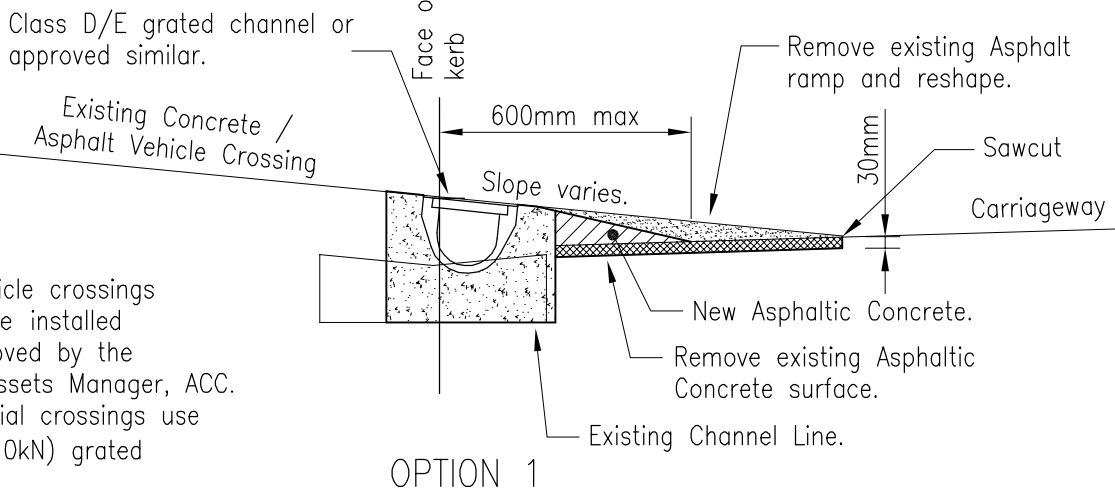
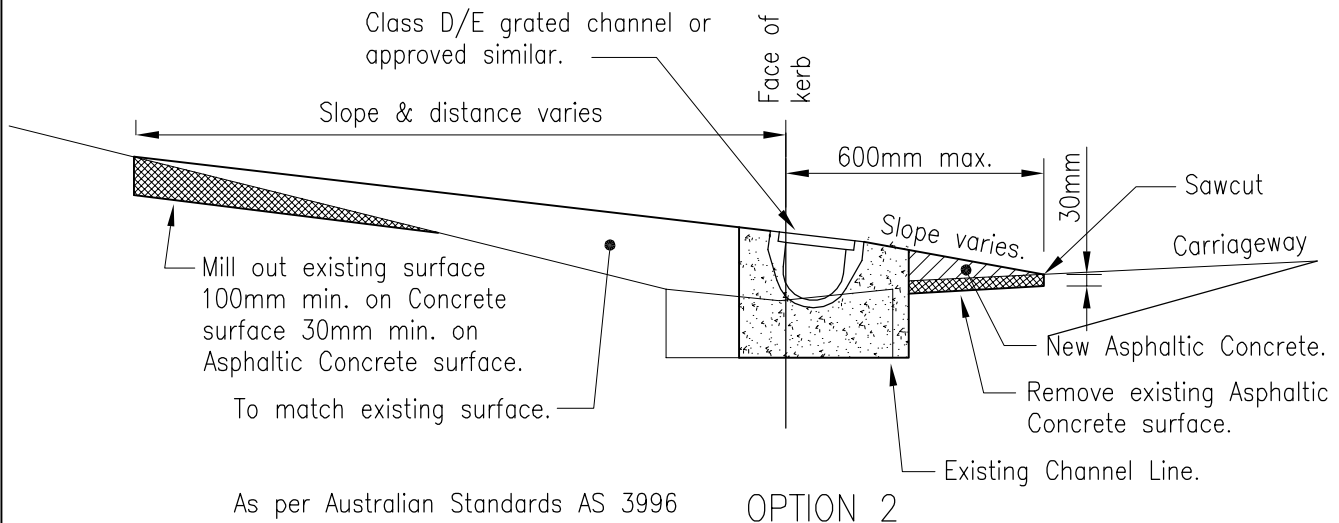


NOTE

1. Minimum Gradient 1 in 250.



Notes:

1. Bridged vehicle crossings shall only be installed where approved by the Transport Assets Manager, ACC.
2. For residential crossings use Class D (210kN) grated channel.
3. For commercial/industrial crossings use Class E (400kN) grated channel

To be used when access exceeds angles shown on 2008/0618.

PREPARED BY OPUS:



AUCKLAND CITY
Transport

**BRIDGED
VEHICLE CROSSING
RESIDENTIAL AND COMMERCIAL CROSSINGS**

SCALE : NTS

DRAWN : JZW

ISSUE DATE : 11/2008

APPROVED :

PLAN No. ISSUE B

2008/0616