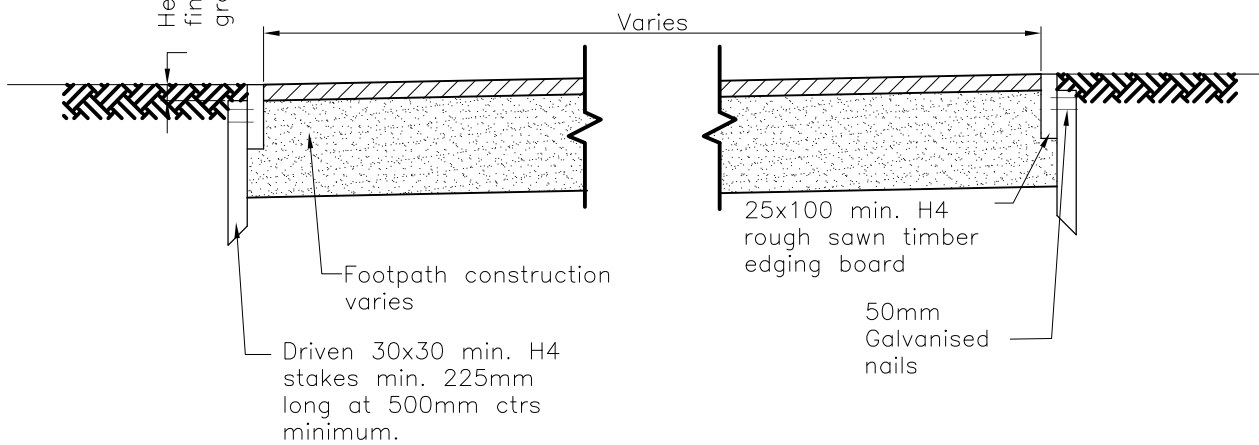
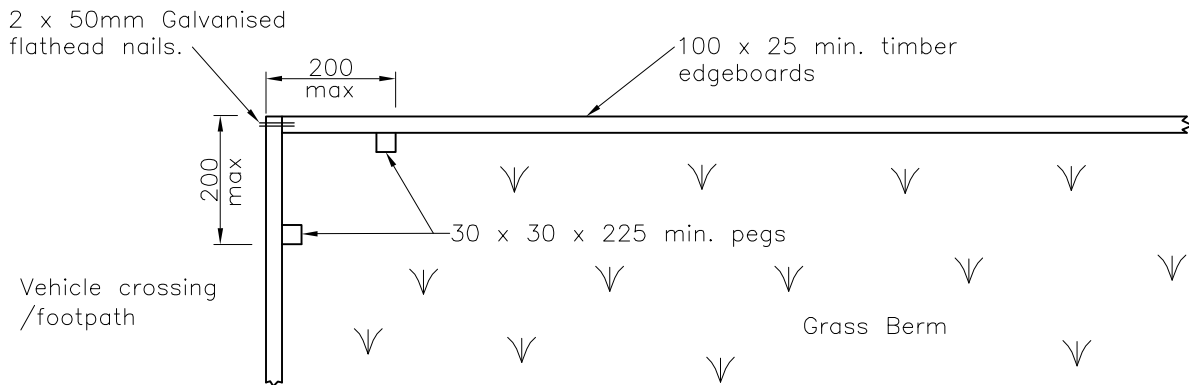


TYPICAL JOINING BOARD DETAIL



TYPICAL FOOTPATH CROSS SECTION



TYPICAL CORNER DETAIL

Note:

1. All timber is to be H4 treated.
2. The timber thicknesses and depths shown are minimum only and where site conditions require the dimensions are to be increased to suit or as directed by the engineer.

PREPARED BY:



AUCKLAND CITY
Transport

FOOTPATH EDGING DETAIL

SCALE : NTS

DRAWN : RWM

ISSUE DATE : 11/2008

APPROVED :

PLAN No. ISSUE A

2008/0607