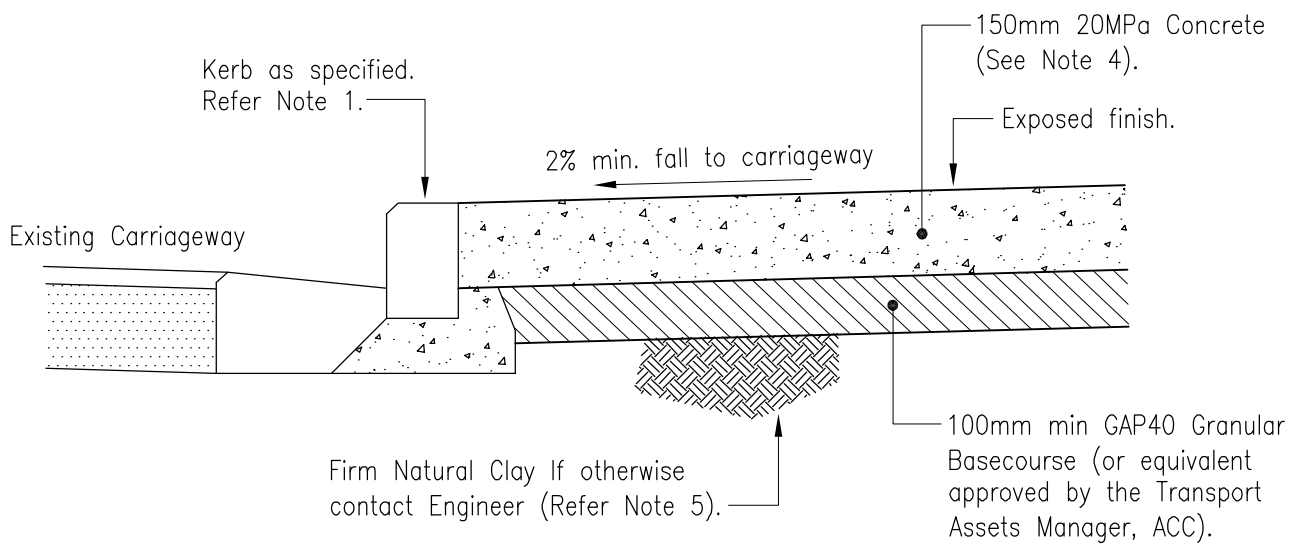


FOOTPATH



HEAVY DUTY FOOTPATH

NOTES

- 1 Refer to ACC Standard Detail Drawings for the following details :-
Pram Crossings - 2008/0609;
Kerbs and Channels - 2008/0201.
2. All Services Lids to be raised or lowered to be flush with footpath levels.
3. If the footpaths are to be used by a significant number of wheelchairs then a crossfall of no more than 3% is preferred. Otherwise maximum crossfall shall be 4%.
4. Refer to Drawing No. 2008/0608 for Footpath Construction Notes.
5. Basecourse layer depth to be increased for weak subgrade (CBR<3).

PREPARED BY OPUS:




AUCKLAND CITY
Transport

CONCRETE FOOTPATH

SCALE : NTS

DRAWN : JZW

ISSUE DATE : 11/2008

APPROVED : 

PLAN No. ISSUE B

2008/0601