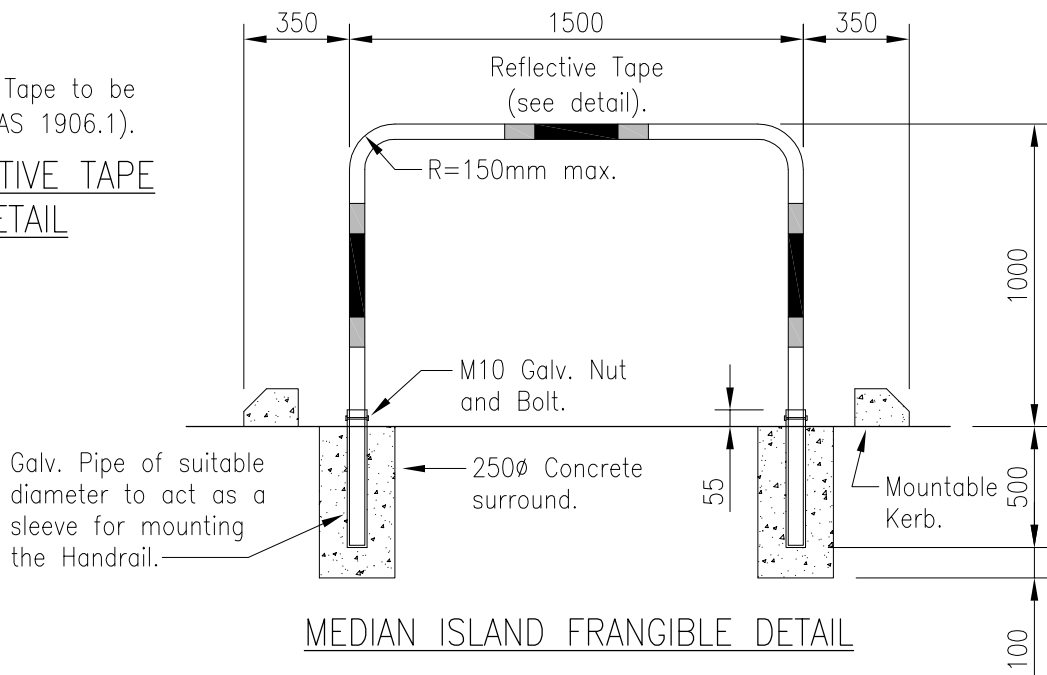


Reflective Tape to be Class 1 (AS 1906.1).

REFLECTIVE TAPE
DETAIL



NOTES

1. Hand rails to be made from 50mm ϕ medium wall thickness Galv. tube then powder coated with 'Western chemicals 0021 Hot Chili'.

PREPARED BY:



AUCKLAND CITY
Transport

**CYCLE HOLDING
RAILS DETAIL**

SCALE : 1:25

DRAWN : W.C.

ISSUE DATE : 11/2008

APPROVED :

PLAN No. ISSUE A

2008/0416