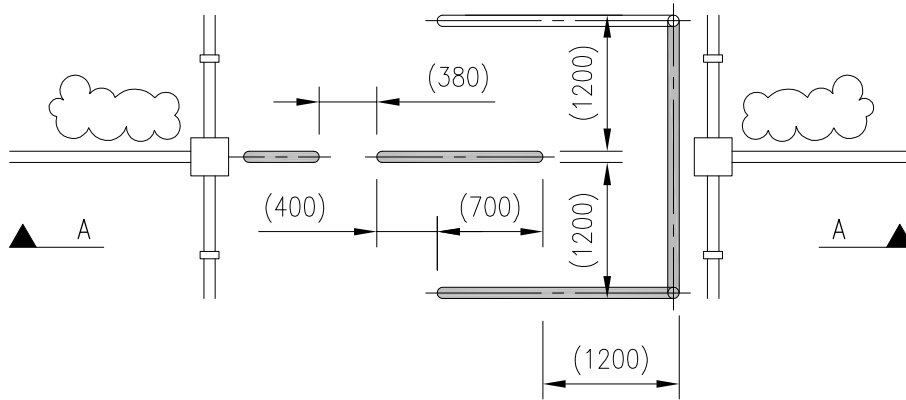
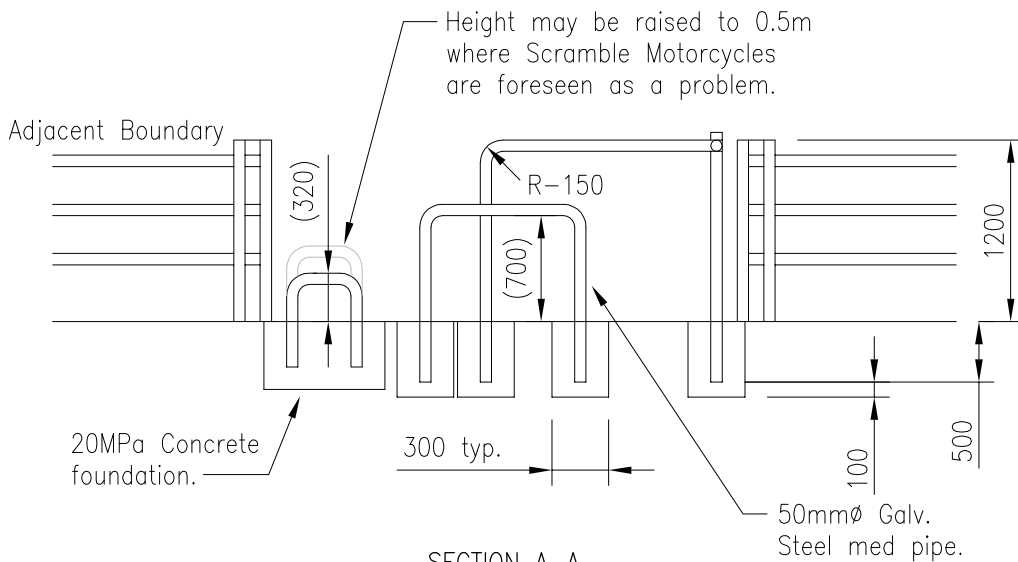


Initially omit Barriers shown as shaded. These can be installed later if there proves to be a problem.



PLAN



SECTION A-A

Dimensions bracketed are essential for the effective operation of the Barrier.

**TYPE C – BARRIER  
(WITH WHEELCHAIR BYPASS)**

**NOTES**

Hand Rails to be made from 50mmØ medium wall thickness Galvanised Tube then powder coated with 'Western Chemicals 0021 Hot Chili'.

PREPARED BY:



**AUCKLAND CITY**  
Transport

ACCESS BARRIERS

SCALE : 1:50

DRAWN : W.C.

ISSUE DATE : 11/2008

APPROVED :

PLAN No. ISSUE A

2008/0415