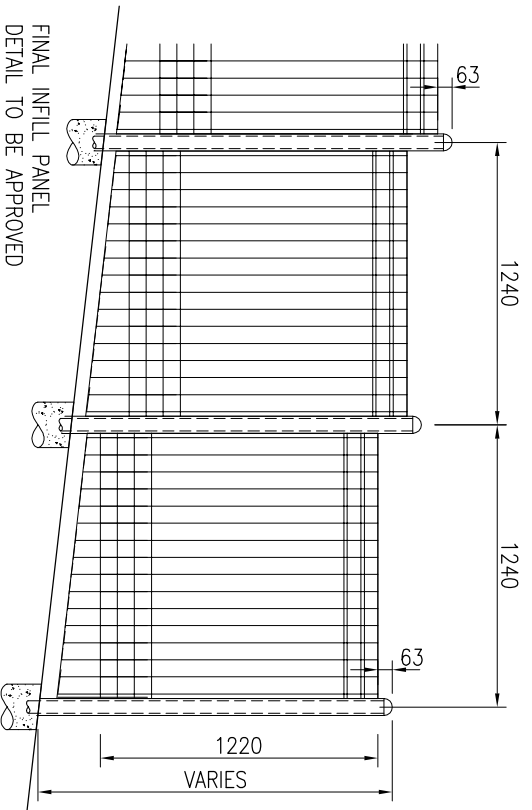
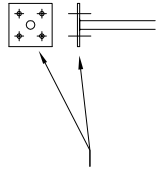


ELEVATION



FENCE OVER STEEP SECTIONS

- NOTES**
1. STEEL TO BE HIGH TENSILE WITH ULTIMATE STRENGTH OF 600-800N/mm.
 2. THE RODS ARE TO BE ELECTRICALLY WELDED TO COMPLY WITH NZS 3422:1975.
 3. TOLERANCES ON OVERALL DIMENSIONS OF THE FINISHED PANEL TO BE 25mm AND BARS TO BE PLACED WITHIN 2mm OF THEIR TRUE LOCATION.
 4. FOLDED PANELS TO BE GALVANISED TO SPECIFICATION CES 306:1992.
 5. SHARP EDGES OF THE PANEL ARE TO BE ROUNDED OFF BEFORE GALVANISING.



Alternate Fixing
 Post bolted to concrete work,
 wall, nib, etc.
 190x190x10mm plate welded to base of
 galvanized pipe.
 Fixed by 4xM16 dynabolts.

Prepared By:



AUCKLAND CITY
 Transport

TYPICAL WIRE
FENCE DETAIL B

SCALE:	NTS
DRAWN:	TA
ISSUE DATE:	11/2008
APPROVED:	
PLAN No.	2008/0411
	Issue A