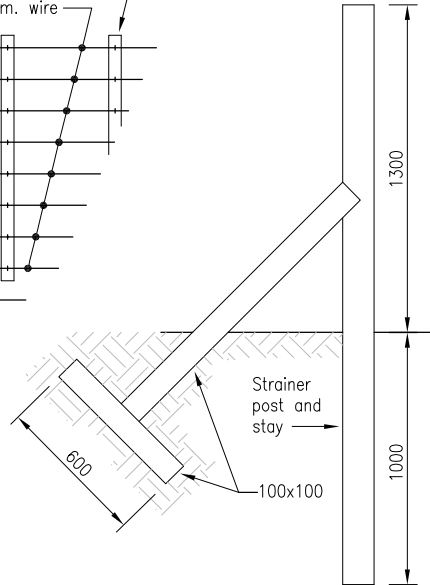
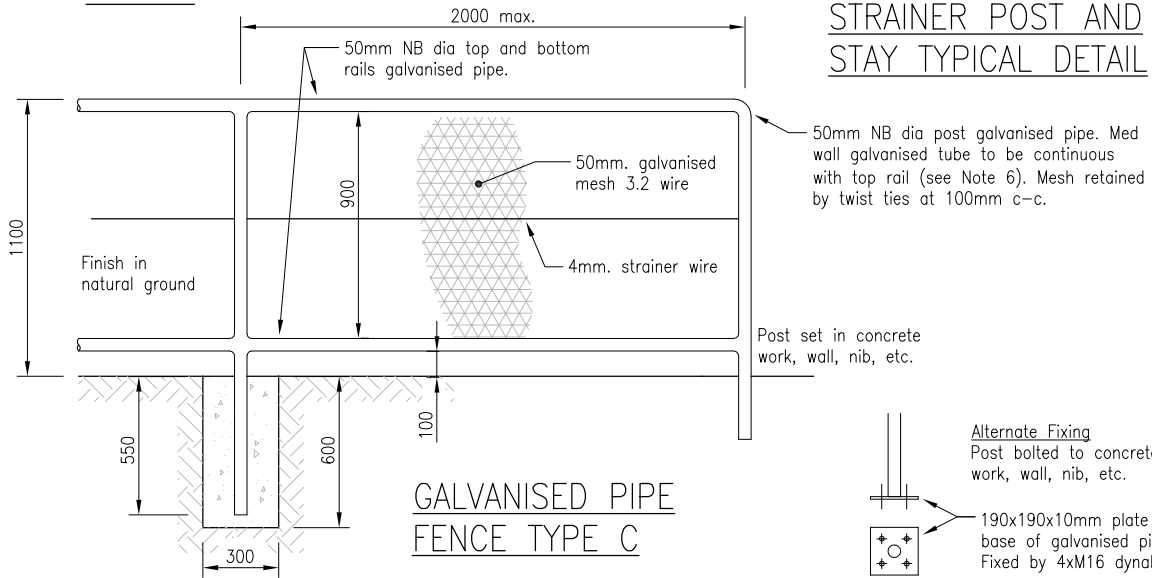


WIRE FENCE
TYPE A

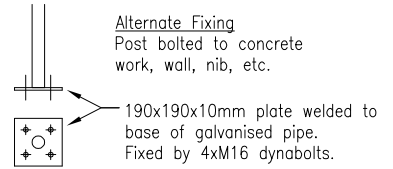
WIRE FENCE
TYPE B



STRAINER POST AND
STAY TYPICAL DETAIL



GALVANISED PIPE
FENCE TYPE C



NOTES

Timber:

1. Timber to be H4 treated (battens).
2. Battens two equally spaced between posts.

Wire mesh:

3. Wire mesh for type C fence to be tied to railings with galvanised 4mm strainer wire as shown.
4. Reinforced concrete posts: Reinforced concrete posts to be used for standard fence type A, and B.
5. Top rail for type C, to be a continuous length of galvanised steel joined by threaded collars. End posts to be formed from the top rail section by bending it through 90°.
6. Concrete for post foundations to be 17.5 MPa.

PREPARED BY:



AUCKLAND CITY
Transport

FENCE
TYPE A, B, C.

SCALE : NTS.

DRAWN : APC

ISSUE DATE : 11/2008

APPROVED :

PLAN No. ISSUE A

2008/0401