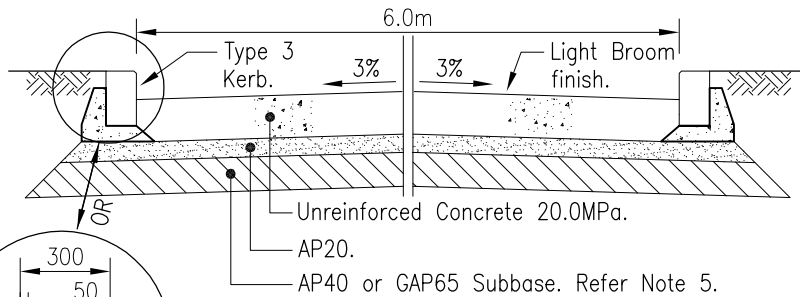
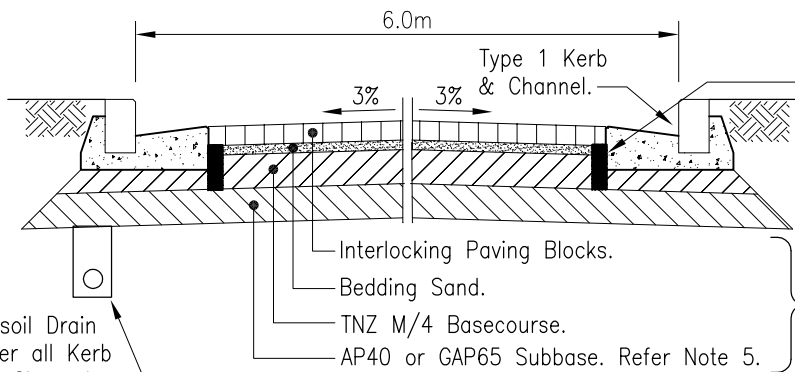


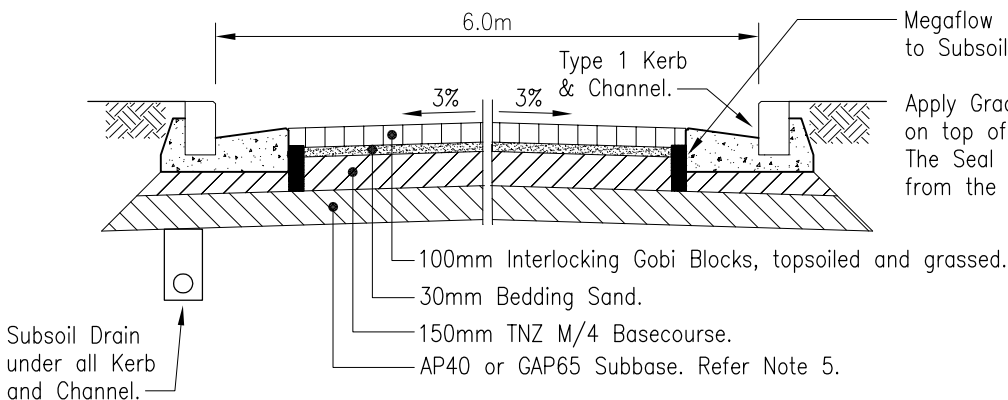
TYPE 1 – ASPHALTIC CONCRETE



TYPE 2 – CONCRETE



TYPE 3 – PAVING BLOCK



TYPE 4 – GOBI BLOCK OR SIMILAR APPROVED

NOTES

- Under Channel Drains as required.
 - For Type two, Contraction Joints are to be saw cut at 5m max. centres. Saw cuts are to be 1/4 depth of Concrete by 6mm wide.
 - These Construction Details are for Driveways in all other Zones in accordance with Part 12.8.2.1 Access to Sites, and Part 11.5.3.2 Business Zones and Mixed Use Zones, of the District Plan, Isthmus Section; and Part 13.8.1.2 Private Way—Standards, of the District Plan, Central Area Section.
 - All Privateways are to be drained to a Catchpit and connected to a Drainage System to the satisfaction of the Engineer.
- | Subgrade CBR | Subbase required | |
|--------------|------------------|--------|
| | Type 1,3 & 4 | Type 2 |
| ≥ 7 | 0 | 0 |
| 5 | 100 | 75 |
| ≤ 3 | 150 | 100 |
- Industrial/Commercial Accessways are to be by specific design.

Megaflow Drain with connection to Subsoil every 20 metres. Apply Grade 5 membrane seal on top of AP40 Basecourse. The Seal is to be kept 100mm from the Megaflow Drain.

Laid in accordance with NZS3116.

Megaflow Drain with connection to Subsoil every 20 metres.

Apply Grade 5 membrane seal on top of AP40 Basecourse. The Seal is to be kept 100mm from the Megaflow Drain.

Laid in accordance with NZS3116.

PREPARED BY:



AUCKLAND CITY
Transport

PRIVATE WAY :
ALL OTHER ZONES AND THE DISTRICT
SCHEME PLAN CENTRAL AREA SECTION

SCALE : NTS.

DRAWN : M.S.

ISSUE DATE : 1/2009

APPROVED :

PLAN No. ISSUE B

2008/0309